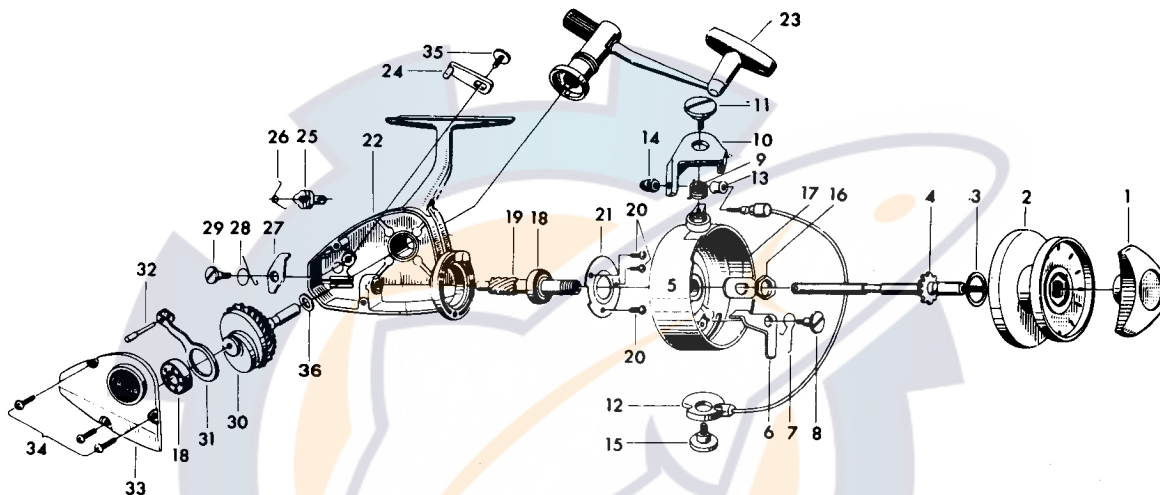
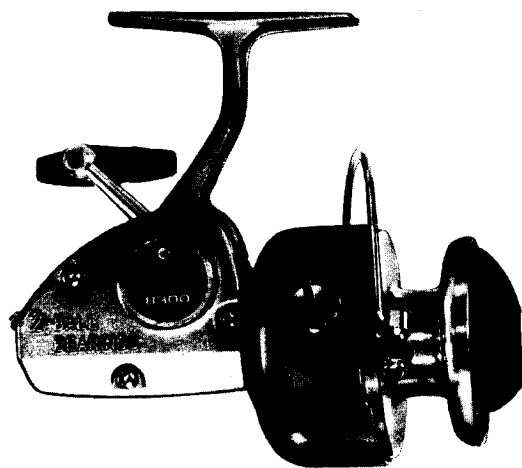




**DAIWA**

SPINNING REEL

**8300A**



LINE CAPACITY: 220 YDS., 12 LB. TEST

Key No.	Parts No.	Parts Name	Price	Key No.	Parts No.	Parts Name	Price	Key No.	Parts No.	Parts Name	Price
1	60009021 (A0090)	Drag knob assembly	\$1.90	13	62501901 (2519)	Line roller	\$.50	25	64604111 (4641)	Anti-reverse cam	\$.50
2	67305411 (A0089)	Spool assembly	8.00	14	63409101 (3491)	Bail nut	.50	26	61417201 (14172)	Anti-reverse cam spring	.50
3	63725713 (37257-3)	Spool washer	.50	15	63613501 (36135)	Bail holder screw	.60	27	61104611 (1146)	Anti-reverse claw	.50
4	60008841 (A0088)	Main shaft assembly	1.50	16	63404601 (3446)	Rotor nut	.50	28	61416521 (14165)	Anti-reverse claw spring	.50
5	60008541 (A0085)	Rotor	4.00	17	63724901 (37249)	Rotor retaining washer	.50	29	63613701 (36137)	Anti-reverse claw screw	.50
6	65704401 (5744)	Bail kick lever	.50	18	66317611 (63176)	Ball bearing	4.00	30	60008721	Drive gear	5.50
7	61405031 (1450c)	Bail kick lever spring	.50	19	64010042 (40100)	Pinion	3.00	31	64804101 (4841)	Oscillating slider	.60
8	63612901 (36129)	Bail kick lever screw	.50	20	63516501 (35165)	Ball bearing ret. washer screw	.50	32	61207201 (1272)	Oscillating slider pin	.50
9	61416621 (14166)	Bail spring	.50	21	66323601 (63236)	Ball bearing ret. washer	.50	33	60013002 (A00130)	Body cover	2.25
10	62304821 (2348)	Arm lever	1.00	22	60012811 (A00128)	Body	6.00	34	63516401 (35164)	Body cover screw	.50
11	63613401 (36134)	Arm lever screw	.50	23	67456611	Handle	4.50	35	63501931 (3519a)	Anti-reverse lever screw	.50
12	60008621 (A0086)	Bail	2.75	24	65404401 (5444)	Anti-reverse lever	.50	36	63712826 (37128-6)	Drive gear washer	.50

ALWAYS SPECIFY MODEL NO., PART NAME & PARTS NO. WHEN ORDERING PARTS  
PLEASE ENCLOSE CORRECT AMOUNT FOR PART'S PRICE WHEN ORDERING